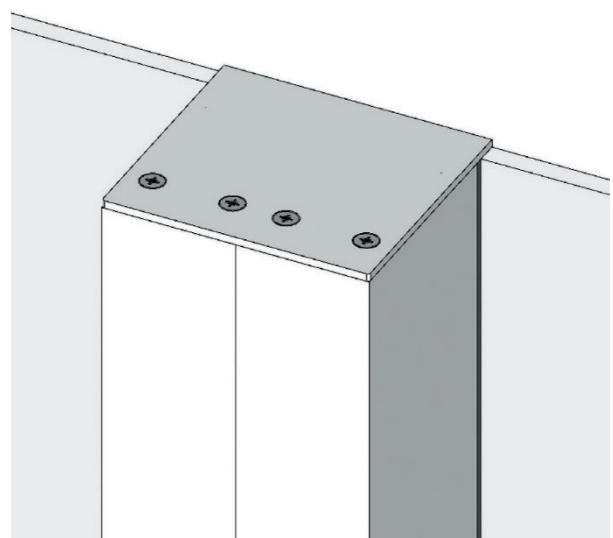
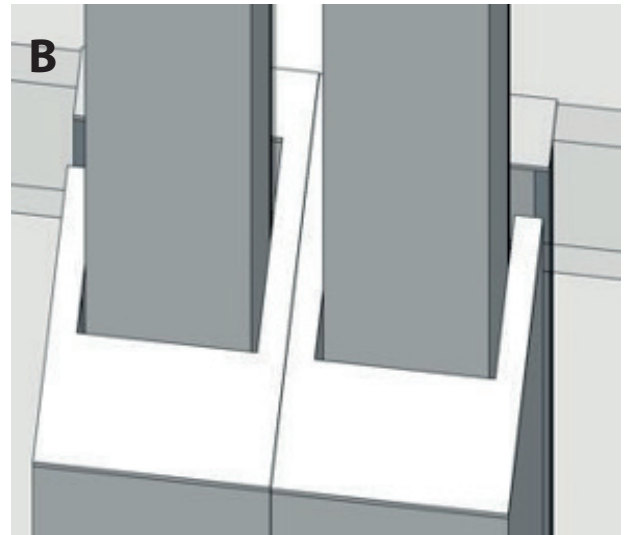
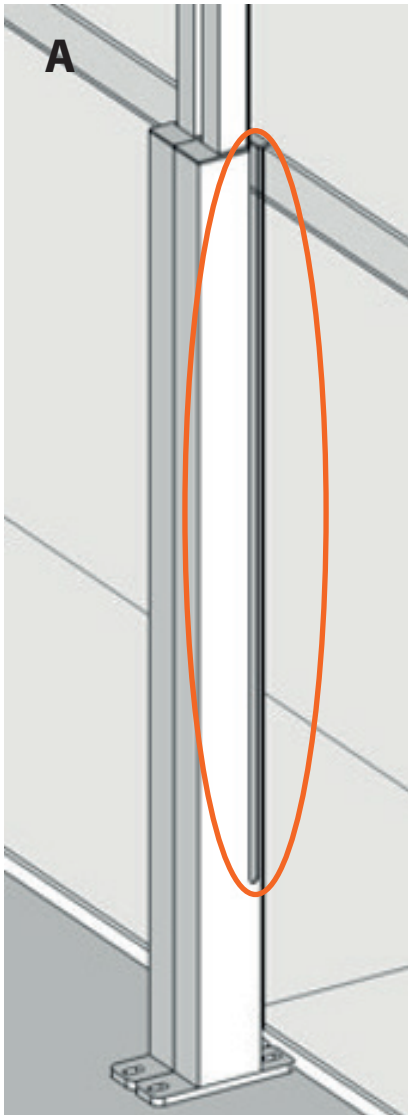


MAINTENANCE ClickitUp[®]

1. Release the moving glass on ClickitUp[®] and let it lift by its own power. Do not force it if it does not go all the way up.
2. Rinse out the tracks, where the moving glass section glides up and down, on the aluminium profiles using a water hose. (see figure A) Press down the section to the lowered position. Repeat to lift and lower the glass section a few times (at least 2–3 times).
3. Let ClickitUp[®] dry before the next step. It is important that all surfaces are dry and clean before using a PTFE based glide spray, which is the next step.
4. Spray PTFE in the gaps (See figure B). Wipe off excessive spray with a soft cloth to prevent dirt from fastening.
5. Lift and lower the glass sections a few more times.
6. If ClickitUp[®] does not work satisfactorily perform Troubleshooting ClickitUp[®].



In order for stainless steel details (the top cap) to maintain their appearance, they should be polished annually.