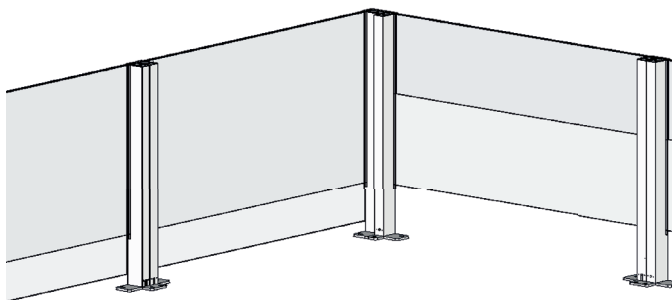


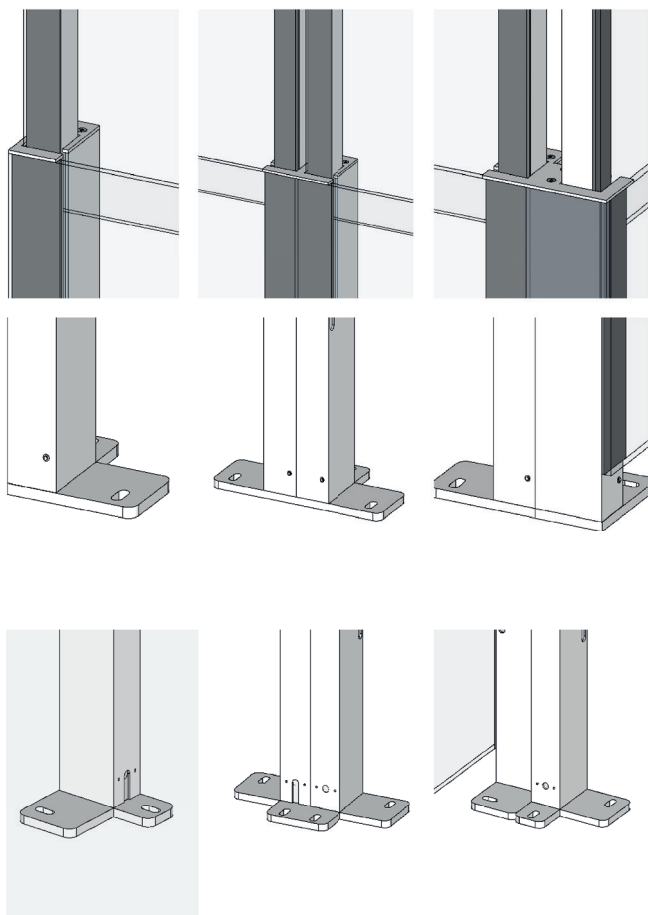
ClickitUp® Inside400

Product type Height adjustable glass balustrade
Product family ClickitUp® Inside

ErgoSafe[®]
FLEXIBLE GLASS SOLUTIONS



ClickitUp® Inside is available in two variants. It's the fixed glass that differentiates the variants.



Description

Height adjustable glass balustrade

Safety

CE marked as per the machinery directive 2006/42/EC. May only be combined with balustrades that are approved where there exists a risk of falling.

Manufacturing method

Structural glazing is used to mount the glass on aluminium posts

Drive mechanism

The system employs semi-automatic gas strut technology that raises the movable section

Baseplate mounts

Baseplate mounts are available as single, double and corner variants.

Cover caps

Cover caps are available as single, double and corner variants

Material

Glass, aluminium and stainless steel

Glass fixed section/Glass movable section

Toughened glass 8 mm/Toughened glass 6 mm

Height lowered balustrade/ Height raised position

1100 mm/1900 mm

Width measurement straight section

max 1500 mm

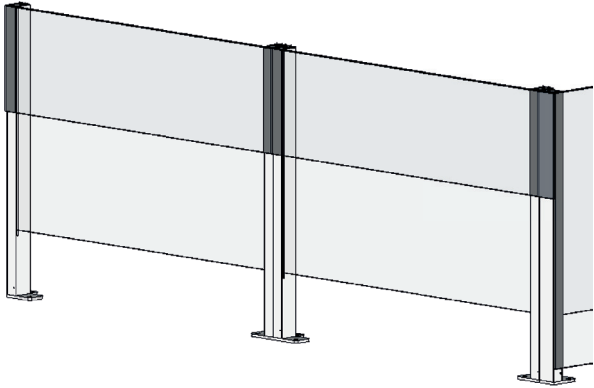
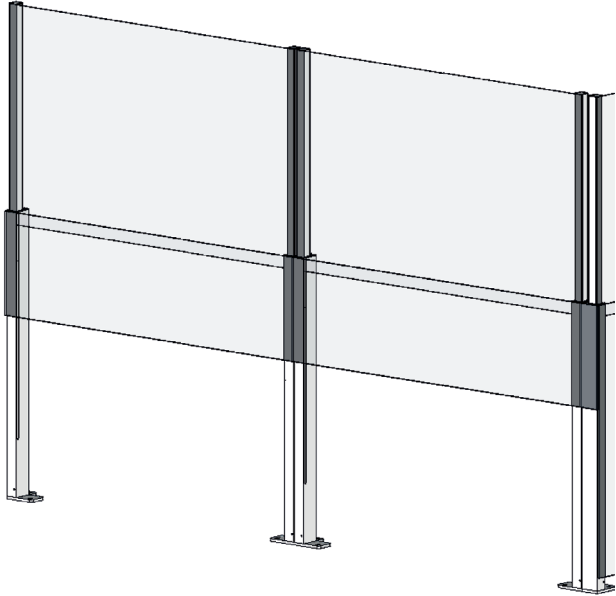
Surface treatment

Natural anodised as standard. As an option at an additional charge, black anodised or powder coated in a RAL colour

Installation

ClickitUp® sections are supplied ready-assembled. Sections are linked together during installation to form a system with the help of double cover caps and double baseplate mounts.

ClickitUp[®] Inside400



ClickitUp[®]
by ErgoSafe[®]