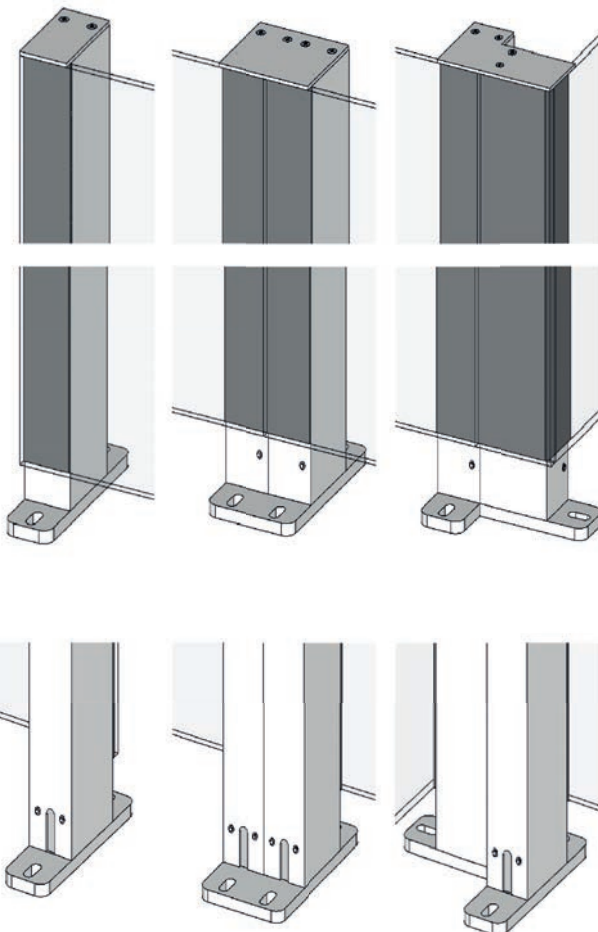
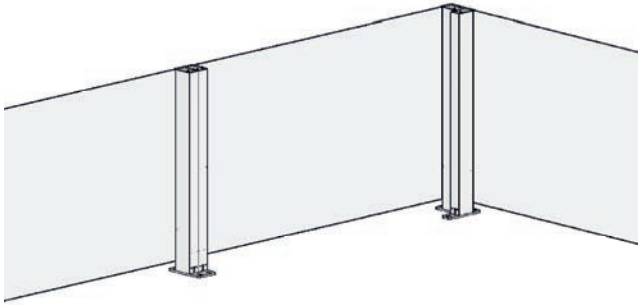


CiUFlex

Product type Glass balustrade
Location Ground level



Description

Glass balustrades with the possibility to upgrade to ClickitUp which has an upper movable part

Safety

Glass is made user safe. With upgrade: See ClickitUp

Assembly

The balustrade must not be installed where there is a risk of falling

Manufacturing method

Structural glazing is used to fit the glass to the aluminium posts

Baseplate mounts

Baseplate mounts are available as single, double and corner variants as well as side baseplate mounts

Cover caps

Cover caps are available as single, double and corner variants

Material

Glass, aluminium and stainless steel

Glass fixed section

Toughened glass 8 mm

Height lowered balustrade

1100 mm with upgrade: see ClickitUp

Width measurement straight section

max 2000 mm

Width measurement corner section

Offset corner. For other corner solutions contact your seller

Width measurement door section

Max measurement 1100 mm (for more info about doors see the separate product sheet)

Surface treatment

Natural anodised as standard. As an option at an additional charge, black anodised or powder coated in a RAL colour

Assembly

ClickitUp[®] sections are delivered ready-assembled. Sections are linked together during installation to form a system with the help of double cover caps and double baseplate mounts

CiUFlex

